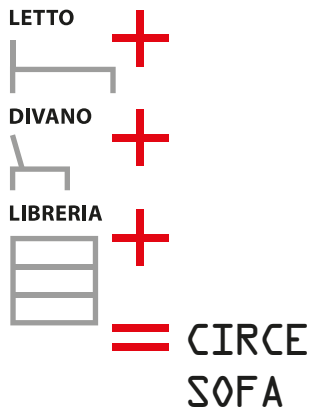
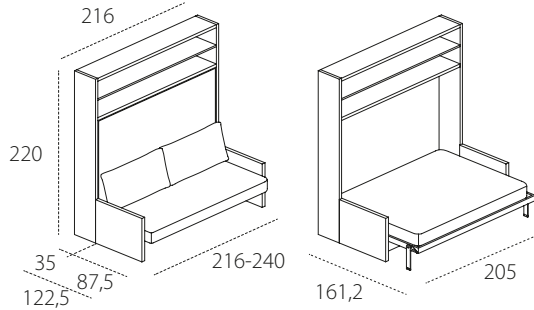




CIRCE SOFA

**Bed base CF09.**  
Patent protected

**Sofa.**  
Patent protected



#### TECHNICAL INFORMATION

Double-function transforming system with horizontal double bed with slatted bed base CF09 and integrated sofa, both patented, that by a simple movement transforms into the night version: by removing the backrest cushions when the bed opens, the sofa with tilting frame and translational movement takes place underneath the bed.

The sofa's seat is padded with non-deformable foam in different densities and upholstered with a layer of polyethylene terephthalate and pure cotton. The backrests are padded with piumafill and upholstered in pure cotton.

Removable covers with French stitching.

Available with armrests of 4 cm or 16 cm wide.

Tilting mechanism through gas springs and device that cushions movements, completely contained in the side of the structure, thanks to patented technology and special manufacturing.

The transforming system with horizontal bed is also available in the Standard version, with no sofa.

Circe Sofa is self-supporting.

Available mattresses - H cm 18, double mattress cm 150x198 kg 29-32, in versions springs, memory, memory 7 zones, memory deluxe, latex and mattresses complying with usa relevant regulations.

Mattress locking belts in nylon with fasteners in black nylon.

Stuffed reclining headboard (optional): iron core mechanism with padding made of cold-foamed polyurethane with removable cover.

H of bed base from the floor cm 33,7.

Maximum capacity of the bed kg 200.

H of sofa seat from the floor cm 40.

#### AVAILABLE FINISHES

STRUCTURE - Melamine white, oak sabbia, oak moro, perla, tortora. Lacquered as per Cleicoloursystem.

BACK PANEL - Melamine white. Lacquered as per Cleicoloursystem.

FRONT - Melamine white, oak sabbia, oak moro, perla, tortora. Glossy white Dialux. Lacquered as per Cleicoloursystem.

SOFA COVER - Removable fabric and leather as per samples collection.