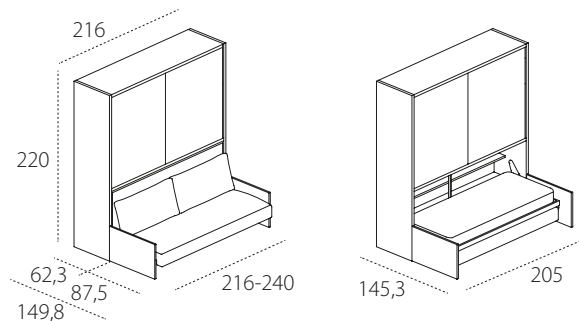


KALI PONTE SOFA 2200

**Bed base CF09.**  
Patent protected

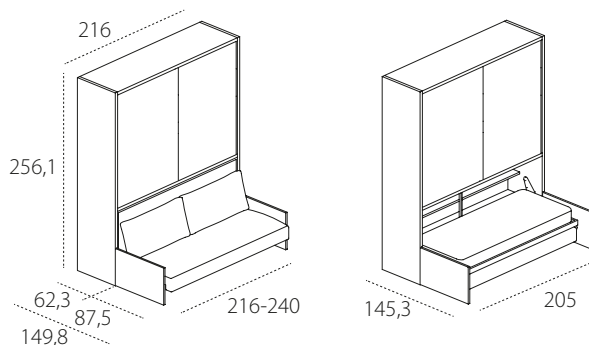
**Sofa.**  
Patent protected



KALI PONTE SOFA 2561

**Bed base CF09.**  
Patent protected

**Sofa.**  
Patent protected



LETTO +



DIVANO +



ARMADIO +



**= KALI PONTE  
SOFA**

## TECHNICAL INFORMATION

Transforming modular system with a foldaway horizontal single bed with the patented CF09 bed base, reclining headboard and patented sofa integrated with the bridge wardrobe element with sliding doors, available 220 and 256,1 cm high.

The system features a fold-down opening mechanism and safety device that prevents accidental opening and closing.

Tilting mechanism with gas springs and device that cushions movements, completely contained in the side of the structure, thanks to patented technology and special manufacturing.

Kali Ponte Sofa transforms into the night-time version: the backrest cushions are removed and as the lower bed is opened, the sofa tilts backwards and slots in underneath the bed.

The sofa is available with two types of armrest in different sizes (W 4 cm and 16 cm).

Seat padding made of graduated non-deformable foam covered with dacron bonded with cotton cloth. The backrests are padded with piumafill and upholstered with cotton cloth

Removable covers with French stitching.

The system can be free-standing or integrated with elements in the Living & Young System programs.

Kali Ponte Sofa is self-supporting.

Wooden structure with adjustable nylon feet.

Available mattresses - H cm 18 single cm 80x 197 weight kg 14-16 in versions springs, memory, memory 7 zone, memory deluxe, latex and mattresses complying with usa relevant regulations.

Mattress locking belts in nylon.

Stuffed reclining headboard (optional): iron core mechanism with padding made of cold-foamed polyurethane with removable cover.

H of bed base from the floor cm 33,7.

H of sofa seat from the floor cm 40.

## AVAILABLE FINISHES

STRUCTURE - Melamine white, oak sabbia, oak moro, perla, tortora. Lacquered as per Cleicoloursystem.

FRONT - Melamine white, oak sabbia, oak moro, perla, tortora. Glossy white Dialux. Lacquered as per Cleicoloursystem.

BACK PANEL - Melamine white. Lacquered as per Cleicoloursystem.

SLIDING DOORS - Melamine white, oak sabbia, oak moro, perla, tortora. Glossy white Dialux. Lacquered as per Cleicoloursystem.

### DECORATIONS:

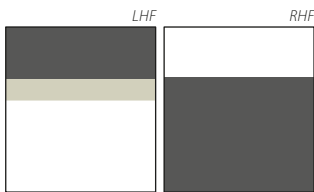
MULTICOLOUR FOR DOOR - Panel with sections in lacquer finish as per Cleicoloursystem, and combined with writable slate and melamine oak sabbia.

APPLIED DECORATIONS FOR DOOR - Quadra, Petalo, Wave.

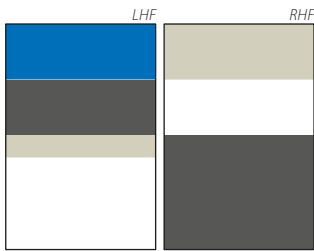
SOFA COVER - Removable fabric and leather as per samples collection.

### DECORATIONS:

Multicolour for door

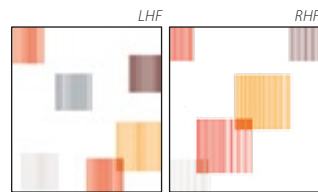


MULTICOLOUR/  
MULTICOLOUR + WRITABLE SLATE/  
MELAMINE OAK SABBIA (112,9)

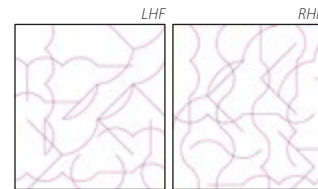


MULTICOLOUR/  
MULTICOLOUR + WRITABLE SLATE/  
MELAMINE OAK SABBIA (149)

### Applied decorations for door



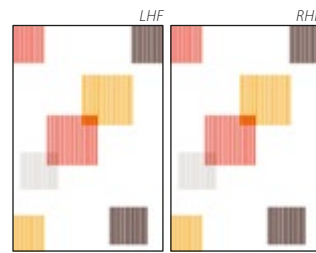
QUADRA (112,9)



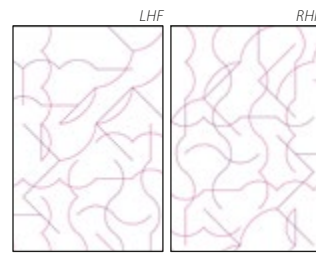
WAVE (112,9)



PETALO (112,9/149)



QUADRA (149)



WAVE (149)