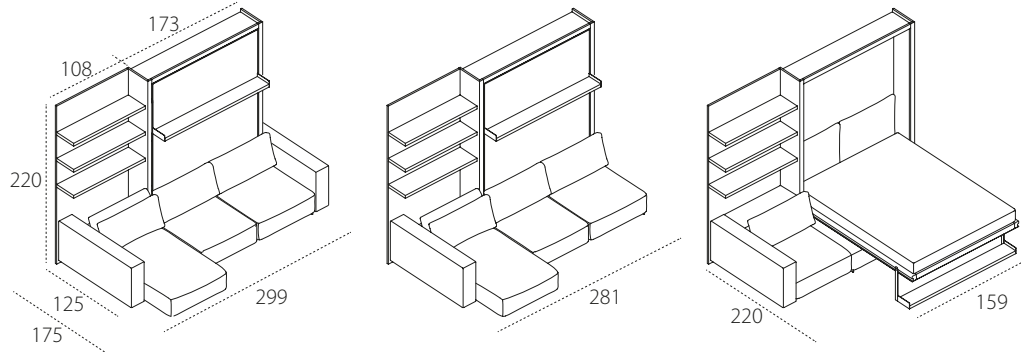




SWING



**DIVANO  
CON PENISOLA  
SCORREVOLE**



**LETTO**



**LIBRERIA**



**= SWING**

**TECHNICAL INFORMATION**

This sofa features one or two armrests, a sliding chaise end with three positions, a reclining comfortable backrest and under-seat compartment.

The seat is padded with high-density polyurethane in differing densities and rounded edges in synthetic fibre, while the backrest is padded with piumafill and upholstered in 100% pure cotton.

The Swing sofa is fitted with the double-function transforming system, with tilting opening double bed. The bed is always ready to use and features the innovative CF97 slatted bed base.

The structure is made from aluminium extrusions, with the bed fitted with an integrated adjustment system. Swing is self-supporting.

Available mattresses - H cm18, double mattress cm 154 x 202 kg 29-32, in versions springs, memory, memory 7 zones, memory deluxe, latex and mattresses complying with usa relevant regulations.

Upholstered stuffed headboard for the bed, fixed directly to the back panel through snaps, cleaning according to the fabric label.

Mattress locking belts in nylon.

H of bed base from the floor cm 49,5.

Maximum capacity kg 300.

H of sofa seat from the floor cm 40.

**AVAILABLE FINISHES**

**STRUCTURE AND BACK PANEL** - Melamine white, oak sabbia, oak moro, perla, tortora. Lacquered as per Cleicoloursystem. Wooden finishes: walnut wood, oak wood.

**FRONT, SHELF AND BOISERIE** - Melamine white, oak sabbia, oak moro, perla, tortora. Lacquered as per Cleicoloursystem. Wooden finishes: walnut wood, oak wood. Glossy white Dialux for front and boiserie panel only

**SOFA COVER** - Removable fabric and leather as per samples collection.